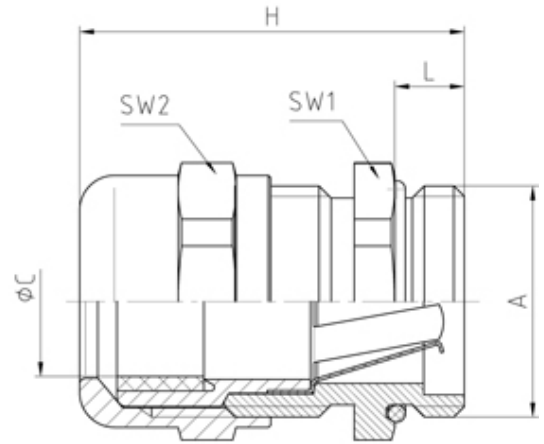


50.640 M/EMVDL

Perfect cable gland EMVD M40X1,5 thread length 13, min/max cable dia 19-27



SPECIFICATION

| | |
|--|---|
| Product Type | EMVD/EMCD |
| Sealing Ring Material | Polychloroprene-Nitrile rubber CR/NBR |
| Body Material | Nickel Plated Brass |
| Min Temperature °C | -20 |
| Max Temperature °C | 100 |
| IP Rating | 68 |
| Thread Size | M40 |
| Clamping Range Min (mm) | 19 |
| Clamping Range Max (mm) | 27 |
| Lamellar Insert Material | Polyamide PA6 V-2 |
| External Connecting Thread Type | Metric |
| Thread Length (mm) | 13 |
| Contact Spring Material | Stainless steel |
| Comments | details about tests - see annex |
| Width Across Flat 1 (mm) | 43 |
| Width Across Flat 2 (mm) | 43 |
| Height (mm) | 46 |
| Connecting Thread Size | M40x1.5 |
| Additional Material Detail | Body - Brass CuZn39Pb3 nickel plated, O-Ring - Nitrile rubber |
| Standards | UL514B |