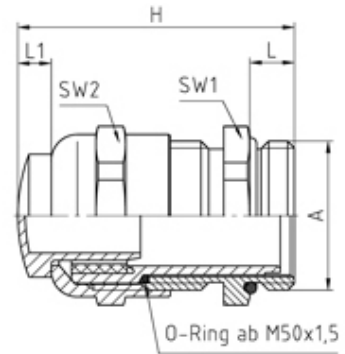


50.650 M/V

Perfect cable gland with mounted blanking plug M50x1,5thread length 9



SPECIFICATION

Product Type	Standard
Sealing Ring Material	Polychloroprene-Nitrile rubber CR/NBR
Body Material	Nickel Plated Brass
Min Temperature °C	-20
Max Temperature °C	100
IP Rating	68
Thread Size	M50
Lamellar Insert Material	Polyamide PA6 V-2
External Connecting Thread Type	Metric
Thread Length (mm)	9
Comments	details about tests - see annex, blanking plug as single part - see under accessoires
Width Across Flat 1 (mm)	55
Width Across Flat 2 (mm)	55
Height (mm)	53.5
Connecting Thread Size	M50x1.5
Additional Material Detail	Body - Brass CuZn39Pb3 nickel plated, Blanking Plug Polyamide PA6 GF30, O-Ring - Nitrile rubber
Dimension Length 1	4