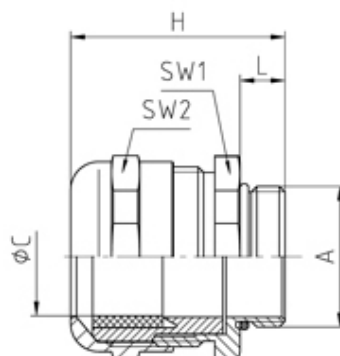


50.625/32 M

Perfect cable gland M25/M32 thread length 7, min/max cable dia 14-21



SPECIFICATION

Product Type	Standard
Sealing Ring Material	Polychloroprene-Nitrile rubber CR/NBR
Body Material	Nickel Plated Brass
Min Temperature °C	-20
Max Temperature °C	100
IP Rating	68
Clamping Range Min (mm)	14
Clamping Range Max (mm)	21
Lamellar Insert Material	Polyamide PA6 V-2
External Connecting Thread Type	Metric
Thread Length (mm)	7
Comments	details about tests - see annex
Width Across Flat 1 (mm)	34
Width Across Flat 2 (mm)	34
Height (mm)	37
Connecting Thread Size	M25x1.5
Additional Material Detail	Body - Brass CuZn39Pb3 nickel plated, O-Ring - Nitrile rubber
Standards	UL514B