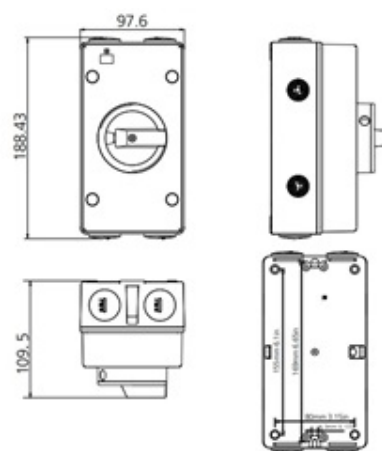


DC Rotary Isolator Switches

Range: Rotary Isolator Switches

Part Number: DE1S.04.50DC



DESCRIPTION

IP66 50A DC Isolator Switch

ROTARY ISOLATOR SWITCHES FEATURES

- IP66 Rated
- AC & DC Range Available
- Silver Plated Alloy Contacts for High Reliability
- Highly Visible & Robust Housing
- 4-Pole Earth terminal Included
- Polycarbonate UL94V-0 Flame Retardant
- Captive Retained Cover Screws
- Can be Padlocked (padlock not included)

Subject to technical modification without notice.

Typographical and other errors do not justify claim for damages.

SPECIFICATION

Rated insulation voltage (Ui) VAC	1500V at 50A, 1000v At 55A
Rated thermal current (Ith) A	50A
Rated impulse without voltage (Uimp)	8000V
Rated short-time with stand current (Icw) 2,4,6,8	1000A
Rated short-time with stand current (Icw) 2H, 3H, 4H	1700A
Rated short-time making capacity (Icm) 2,4,6,8	1000A
Rated short-time making capacity (Icm) 2H, 3H, 4H	1700A
Rated conditional short circuit current (Icc)	5000A
Maximum Fuse Size (gL(gG))	80A