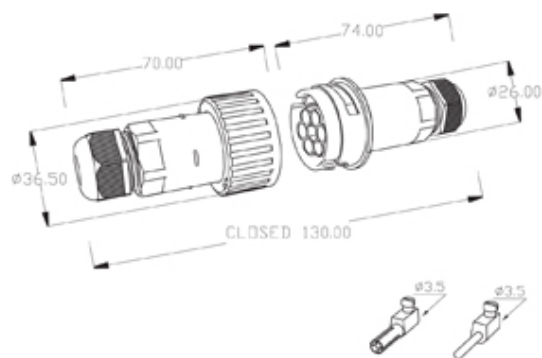


# TeePlug & Sockets

## Range: Weatherproof/Waterproof Connectors

Order Code: THK.405.03



### DESCRIPTION

TeePlug 3 pole Screw terminal 7mm to 14mm cable diameter, 4 mm max conductor size IP68 25A 400V 1 cable entry, TeePlug Powersocket 3 pole

Screw terminal 7mm to 14mm cable diameter, 4 mm max conductor size IP68 25A 400V 1 cable entry and TH405 Insert tool

### WEATHERPROOF/WATERPROOF CONNECTORS FEATURES

- Up to IP68 versions available
- Various configurations available
- Components are keyway coded to ensure correct assembly
- All products are quick and simple to install
- Bulkhead/chassis mount options available (depending on product type)
- Temperature range of -20°C to +125°C

*Features may vary by product throughout the range.*

*Subject to technical modification without notice.*

*Typographical and other errors do not justify claim for damages.*

## SPECIFICATION

<b>Type</b>	Plug and Socket
<b>Cable Entries</b>	1
<b>Max Current (A)</b>	25
<b>Max Voltage (V)</b>	400
<b>Number of Poles</b>	3
<b>Max Conductor Size (Sq mm)</b>	4
<b>Minimum Cable Diameter (mm)</b>	7
<b>Maximum Cable Diameter (mm)</b>	14
<b>IP Rating</b>	68
<b>Min Temperature Rating °C</b>	-40
<b>Max Temperature Rating °C</b>	125
<b>Temperature "T" Rating</b>	T125
<b>Body Material</b>	PA66
<b>Comments</b>	This product comprises parts THB.405.A2B, THB.405.B2B and 600012200
<b>Fixing System</b>	Cable
<b>Terminal Type</b>	Screw

## INDUSTRY ACCREDITATIONS

