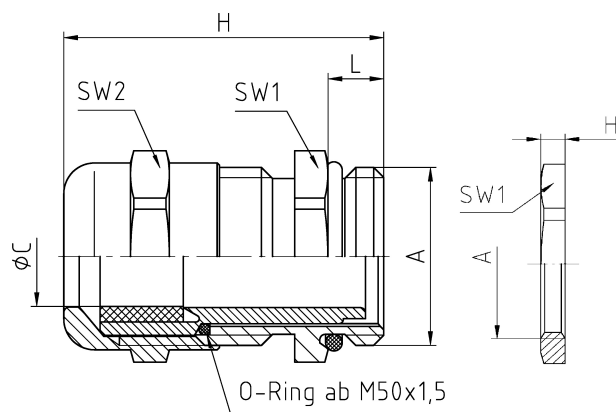


# Nickel Plated Brass Metric Cable Glands

Range: Cable Glands/Grommets

Order Code: HYGCLM20LNPB



## DESCRIPTION

Perfect cable gland long thread M20X1,5 thread length 10, min/max cable dia 9-13 with internal locknut fixing

## CABLE GLANDS/GROMMETS FEATURES

- Easy to install
- Up to IP 68 protection
- Made From Nickel Plated Brass

*Subject to technical modification without notice.*

*Typographical and other errors do not justify claim for damages.*

## SPECIFICATION

<b>Product Type</b>	Standard
<b>Sealing Ring Material</b>	Polychloroprene-Nitrile rubber CR/NBR
<b>Body Material</b>	Nickel Plated Brass
<b>Min Temperature Rating °C</b>	-20
<b>Max Temperature Rating °C</b>	100
<b>IP Rating</b>	68
<b>Thread Size</b>	M20
<b>Clamping Range Min (mm)</b>	9
<b>Clamping Range Max (mm)</b>	13
<b>Lamellar Insert Material</b>	Polyamide PA6 V-2
<b>External Connecting Thread Type</b>	Metric
<b>Thread Length (mm)</b>	10
<b>Comments</b>	details about tests - see annex
<b>Width Across Flat 1 (mm)</b>	22
<b>Width Across Flat 2 (mm)</b>	22
<b>Height (mm)</b>	37.5
<b>Connecting Thread Size</b>	M20x1.5
<b>Additional Material Detail Standards</b>	Body - Brass CuZn39Pb3 nickel plated, O-Ring - Nitrile rubber EN50262/UL514B

## INDUSTRY ACCREDITATIONS

