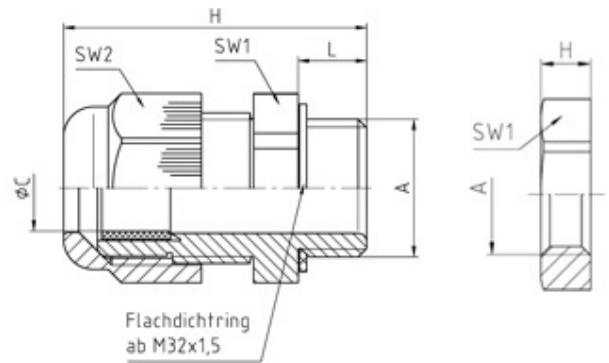


## HYCGLGM25

Perfect cable gland PA/SW M25X1,5 thread length 8, min/max cable dia 11-17 Body - Polyamide PA6 V-2. Supplied with Hexagonal locknut PA/SW M25X1,5 thread length M25x1.5 Body - Polyamide PA6 GF30. Colour-Grey



### SPECIFICATION

<b>Product Type</b>	Standard
<b>Sealing Ring Material</b>	Polychloroprene-Nitrile rubber CR/NBR
<b>Body Material</b>	Polyamide
<b>Min Temperature Rating °C</b>	-20
<b>Max Temperature Rating °C</b>	100
<b>IP Rating</b>	68
<b>Colour</b>	Grey RAL7035
<b>Thread Size</b>	M25
<b>Clamping Range Min (mm)</b>	11
<b>Clamping Range Max (mm)</b>	17
<b>External Connecting Thread Type</b>	Metric
<b>Thread Length (mm)</b>	8
<b>Width Across Flat 1 (mm)</b>	29
<b>Width Across Flat 2 (mm)</b>	29
<b>Height (mm)</b>	43
<b>Connecting Thread Size</b>	M25x1.5
<b>Additional Material Detail</b>	Body - Polyamide PA6 V-2
<b>Standards</b>	EN50262/UL514B