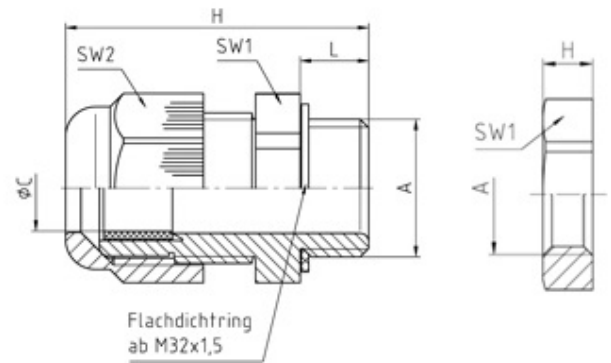


HYCGLBM25

Perfect cable gland PA/SW M25X1,5 thread length 8, min/max cable dia 11-17 Body - Polyamide PA6 V-2. Supplied with Hexagonal locknut PA/SW M25X1,5 thread length M25x1.5 Body - Polyamide PA6 GF30. Colour-Grey



SPECIFICATION

Product Type	Standard
Sealing Ring Material	Polychloroprene-Nitrile rubber CR/NBR
Body Material	Polyamide
Min Temperature Rating °C	-20
Max Temperature Rating °C	100
IP Rating	68
Colour	Grey RAL7035
Thread Size	M25
Clamping Range Min (mm)	11
Clamping Range Max (mm)	17
External Connecting Thread Type	Metric
Thread Length (mm)	8
Width Across Flat 1 (mm)	29
Width Across Flat 2 (mm)	29
Height (mm)	43
Connecting Thread Size	M25x1.5
Additional Material Detail	Body - Polyamide PA6 V-2
Standards	EN50262/UL514B