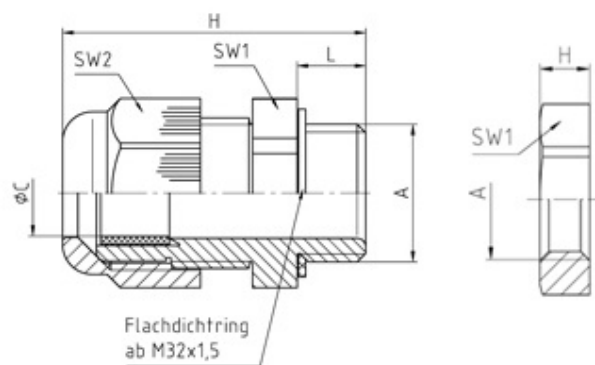


# Nylon Metric Cable Glands

## Range: Cable Glands/Grommets

Part Number: HYGCLBM16



### DESCRIPTION

Perfect cable gland PA/SW M16X1,5 thread length 8, min/max cable dia 5-10 Body - Polyamide PA6 V-2. Supplied with Hexagonal locknut  
PA/SW M16X1,5 thread length M16x1.5 Body - Polyamide PA6 GF30.  
Colour-Black

### CABLE GLANDS/GROMMETS FEATURES

- IP68
- Temp range -20°C to +100°C
- Quick and easy installation without special tools
- Wall thickness 1-4mm

*Subject to technical modification without notice.*

*Typographical and other errors do not justify claim for damages.*

## SPECIFICATION

Product Type	Standard
Sealing Ring Material	Polychloroprene-Nitrile rubber CR/NBR
Body Material	Polyamide
Min Temperature Rating °C	-20
Max Temperature Rating °C	100
IP Rating	68
Colour	Black - RAL 9005
Thread Size	M16
Clamping Range Min (mm)	5
Clamping Range Max (mm)	10
External Connecting Thread Type	Metric
Thread Length (mm)	8
Width Across Flat 1 (mm)	20
Width Across Flat 2 (mm)	20
Height (mm)	35.5
Connecting Thread Size	M16x1.5
Additional Material Detail	Body - Polyamide PA6 V-2
Standards	EN50262/UL514B

## INDUSTRY ACCREDITATIONS

