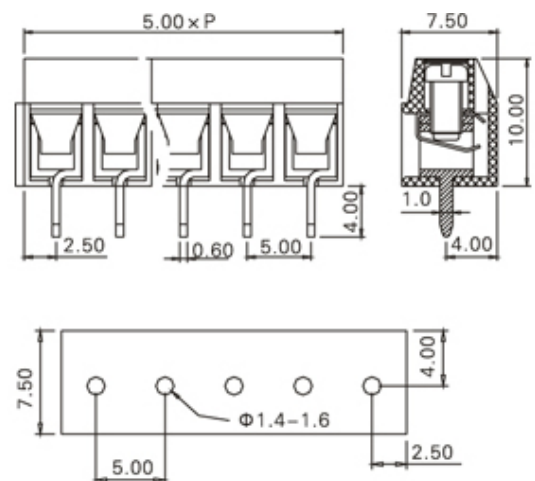
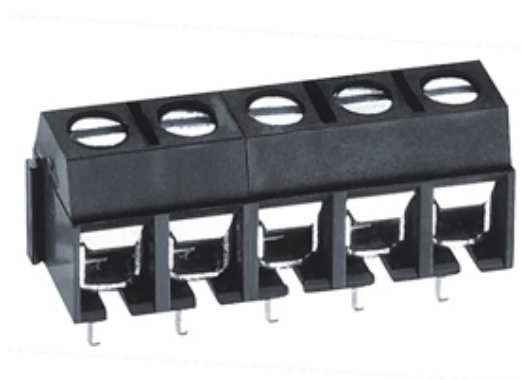




Through Hole Mount/Wire Protected

Range: PCB Terminal Blocks, Connectors and Fuse Holders

Part Number: TL203V-07P5KC



DESCRIPTION

7 (IOI) Pole Screw Wire Protector Wave - through hole Vertical 10mm pitch 16A(UL) 16A(VDE) 300V(UL) 250V(VDE)

Subject to technical modification without notice.

Typographical and other errors do not justify claim for damages.

SPECIFICATION

| | |
|---------------------------|---|
| Type | Screw |
| Connection Method | Wire Protector |
| Mounting Type | Wave - through hole |
| Orientation | Vertical |
| Join | Interlocking |
| Pitch (mm) | 10 |
| Number of Poles | 7 (IOI) |
| Min Wire Size (Sq mm) | 0.12 |
| Max Wire Size (Sq mm) | 2.5 |
| Max Current (A) | 16A(UL) 16A(VDE) |
| Max Voltage (V) | 300V(UL) 250V(VDE) |
| Height (mm) | 10 |
| Standard Colour | Black |
| Width (mm) | 7.5 |
| Length (mm) | 65 |
| Solder Pin Length (mm) | 4 |
| PCB Hole Diameter (mm) | 1.4-1.6 |
| Body Material | PA66 V0 |
| Comments | Pole sizes / no of ways not shown, please contact us for availability |
| Min Temperature Rating °C | -40 |
| Max Temperature Rating °C | 105 |
| Min Wire Size AWG | 26 |
| Max Wire Size AWG | 12 |
| Terminal Type | Wire protected |

INDUSTRY ACCREDITATIONS

