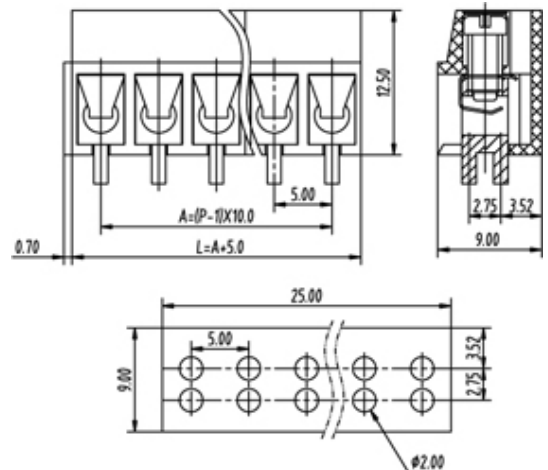




Through Hole Mount/Wire Protected

Range: PCB Terminal Blocks, Connectors and Fuse Holders

Part Number: TL213-18P



DESCRIPTION

18 Pole Screw Wire Protector Wave - through hole Vertical 5mm pitch 12A 300V

Subject to technical modification without notice.

Typographical and other errors do not justify claim for damages.

SPECIFICATION

| | |
|----------------------------------|---|
| Type | Screw |
| Connection Method | Wire Protector |
| Mounting Type | Wave - through hole |
| Orientation | Vertical |
| Join | Interlocking |
| Pitch (mm) | 5 |
| Number of Poles | 18 |
| Min Wire Size (Sq mm) | 0.75 |
| Max Wire Size (Sq mm) | 2.5 |
| Max Current (A) | 12 |
| Max Voltage (V) | 300 |
| Height (mm) | 12.8 |
| Standard Colour | Black |
| Width (mm) | 8.6 |
| Length (mm) | 90 |
| PCB Hole Diameter (mm) | 1.4-1.6 |
| Approvals Pending | UL Pending |
| Comments | Pole sizes / no of ways not shown, please contact us for availability |
| Min Temperature Rating °C | -40 |
| Max Temperature Rating °C | 105 |
| Min Wire Size AWG | 18 |
| Max Wire Size AWG | 12 |
| Terminal Type | Wire protected |