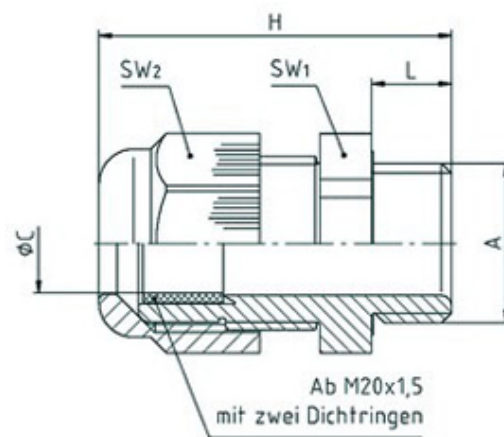


Cable Glands

Range: Clearance

Order Code: 50.620 PABLEXSI



DESCRIPTION

CLEARANCE - Perfect cable gland EX M20X1,5 thread length 8, min/max cable dia 5.5-13, Sealing Ring material Silicone VMQ Gland Colour-Body Black RAL 9005 - Head Blue RAL 5015

CLEARANCE FEATURES

- Polyamide PA6
- IP66
- Equipment group: II
- Category / Zone: 2G and 2D / 1, 2, 21, 22

Subject to technical modification without notice.

Typographical and other errors do not justify claim for damages.

SPECIFICATION

Height (mm)	37
Body Material	Polyamide
Colour	Body Black RAL 9005 - Head Blue RAL 5015
Comments	PTB 99 ATEX 3101 X (M12 und M16)2G, 2D and 3G/1, 2, 21, 22 Equipment Group IIEx e, increased safety EN 60079-0 / EN 60079-7
IP Rating	66

INDUSTRY ACCREDITATIONS

