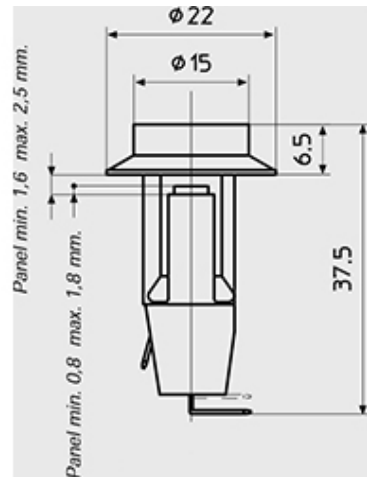




Fuse Holders

Range: PCB Terminal Blocks, Connectors and Fuse Holders

Order Code: DFH08



DESCRIPTION

5x20mm Snap Fit Panel Mounting Fuseholder

*Subject to technical modification without notice.
Typographical and other errors do not justify claim for damages.*

SPECIFICATION

Max Current (A)	6.3
Max Voltage (V)	250
Dielectric Strength	>3000 Vac / 60
Power Dissipation (w)	2.5
Insulation Resistance (mOhm)	>10 \AA^2 M

INDUSTRY ACCREDITATIONS

