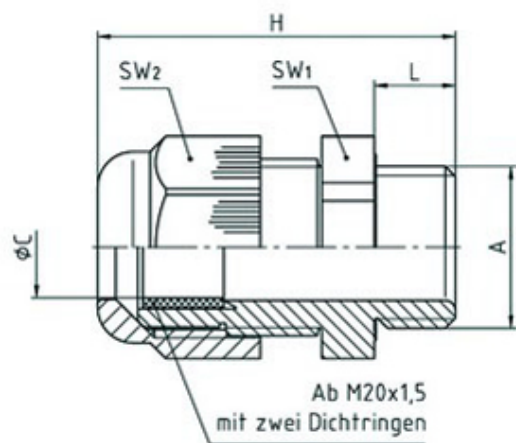


Nylon Metric Cable Glands

Range: Cable Glands/Grommets

Part Number: GHG9601955R0007



DESCRIPTION

Perfect cable gland EX M50X1,5 thread length 12, min/max cable dia 22-35, Sealing Ring material Polychloroprene-Nitrile rubber CR/NBR
Gland Colour-Black - RAL 9005

CABLE GLANDS/GROMMETS FEATURES

- Polyamide PA6
- IP66
- Equipment group: II
- Category / Zone: 2G and 2D / 1, 2, 21, 22

Subject to technical modification without notice.

Typographical and other errors do not justify claim for damages.

SPECIFICATION

Product Type	EX
Body Material	Polyamide
Min Temperature Rating °C	-20
Max Temperature Rating °C	70
IP Rating	68
Colour	Black - RAL 9005
Thread Size	M50
Clamping Range Min (mm)	22
Clamping Range Max (mm)	35
External Connecting Thread Type	Metric
Thread Length (mm)	12
Sealing Ring/Inner Part	Evoprene TPE (from M20x1,5)
Comments	PTB 99 ATEX 3101 X (M12 und M16)2G, 2D and 3G/1, 2, 21, 22 Equipment Group IIEEx e, increased safety EN 60079-0 / EN 60079-7
Width Across Flat 1 (mm)	55
Width Across Flat 2 (mm)	55
Height (mm)	61.5
Connecting Thread Size	M50x1.5
Sealing Ring/Outer Part	Polychloroprene-Nitrile rubber CR/NBR
Additional Material Detail	Body - Polyamide PA6, Dust cap - Polyethylene PE-LD
Category/Zone	2G, 2D and 3G/1, 2, 21, 22
Equipment Group	Equipment Group II
Standards	EN60079-1/EN60079-7/EN61241-0/EN61241-1
Type of Protection	Ex e, increased safety

INDUSTRY ACCREDITATIONS

