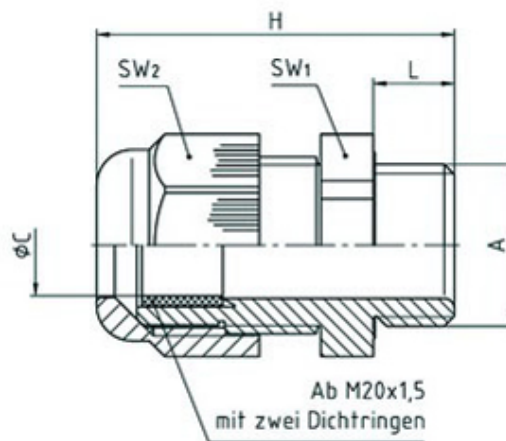


# Nylon Metric Cable Glands

## Range: Cable Glands/Grommets

Order Code: GCG-AMS-M25-BK (GHG9601955R0004)



### DESCRIPTION

Perfect cable gland EX M25X1,5 thread length 8, min/max cable dia 8-17, Sealing Ring material Polychloroprene-Nitrile rubber CR/NBR  
Gland Colour-Black - RAL 9005

### CABLE GLANDS/GROMMETS FEATURES

- Polyamide PA6
- IP66
- Equipment group: II
- Category / Zone: 2G and 2D / 1, 2, 21, 22

*Subject to technical modification without notice.*

*Typographical and other errors do not justify claim for damages.*

## SPECIFICATION

<b>Product Type</b>	EX
<b>Body Material</b>	Polyamide
<b>Min Temperature Rating °C</b>	-20
<b>Max Temperature Rating °C</b>	70
<b>IP Rating</b>	68
<b>Colour</b>	Black - RAL 9005
<b>Thread Size</b>	M25
<b>Clamping Range Min (mm)</b>	8
<b>Clamping Range Max (mm)</b>	17
<b>External Connecting Thread Type</b>	Metric
<b>Thread Length (mm)</b>	8
<b>Sealing Ring/Inner Part</b>	Evoprene TPE (from M20x1,5)
<b>Comments</b>	PTB 99 ATEX 3101 X (M12 und M16)2G, 2D and 3G/1, 2, 21, 22 Equipment Group IIEEx e, increased safety EN 60079-0 / EN 60079-7
<b>Width Across Flat 1 (mm)</b>	29
<b>Width Across Flat 2 (mm)</b>	29
<b>Height (mm)</b>	43
<b>Connecting Thread Size</b>	M25x1.5
<b>Sealing Ring/Outer Part</b>	Polychloroprene-Nitrile rubber CR/NBR
<b>Additional Material Detail</b>	Body - Polyamide PA6, Dust cap - Polyethylene PE-LD
<b>Category/Zone</b>	2G, 2D and 3G/1, 2, 21, 22
<b>Equipment Group</b>	Equipment Group II
<b>Standards</b>	EN60079-1/EN60079-7/EN61241-0/EN61241-1
<b>Type of Protection</b>	Ex e, increased safety

## INDUSTRY ACCREDITATIONS

