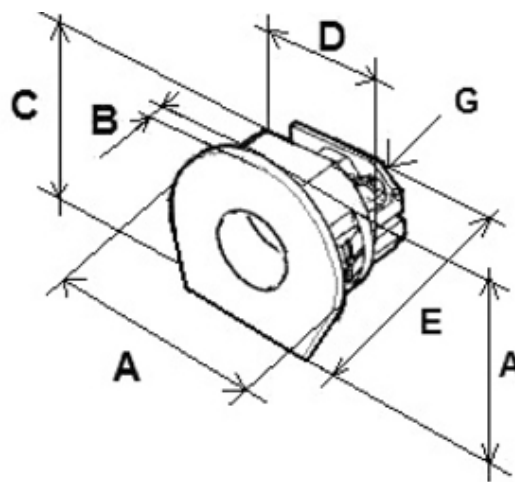




Cable Clamps

Range: Emech Terminals/Accessories

Order Code: GCC-TPS-1-BK (HY701/S)



DESCRIPTION

Cable clamp with screw unassembled

Subject to technical modification without notice.

Typographical and other errors do not justify claim for damages.

SPECIFICATION

Body Material	Polyamide
UL94 Rating	UL94V0
Working Temperature	140
Diameter (mm)	29

INDUSTRY ACCREDITATIONS

