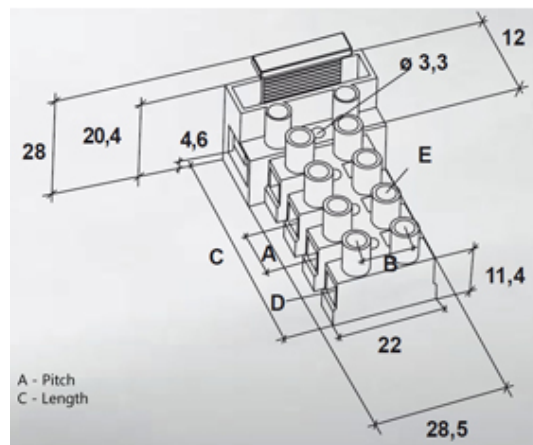


Fused Pillar Terminal Blocks

Range: Emech Terminals/Accessories

Part Number: HY133/4 LP



DESCRIPTION

4 pole grey polyamide PA6.8 wire protected fused pillar terminal block 10mm pitch 24a 450v

Subject to technical modification without notice.

Typographical and other errors do not justify claim for damages.

SPECIFICATION

| | |
|-----------------------------------|-----------------------------|
| Number of Poles | 4 |
| Terminal Material | OT58 nickel plated |
| Terminal Type | Wire Protected |
| Body Material | Polyamide PA6.8 |
| Colour | Grey |
| Max Conductor Size (Sq mm) | 2.5 |
| Max Current (A) | 24 |
| Max Voltage (V) | 450 |
| Pitch (mm) | 10 |
| Height (mm) | 28 |
| Width (mm) | 28.5 |
| Length (mm) | 41 |
| Comments | Interlockable of on 1 side. |
| Terminal Screw Material | White zinc plated steel |
| Wire Protection Material | Stainless steel |

INDUSTRY ACCREDITATIONS

