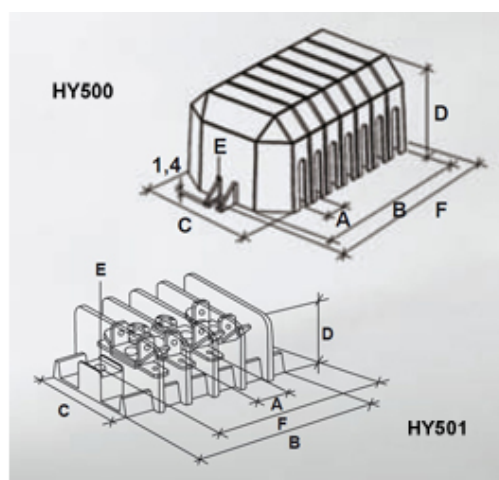
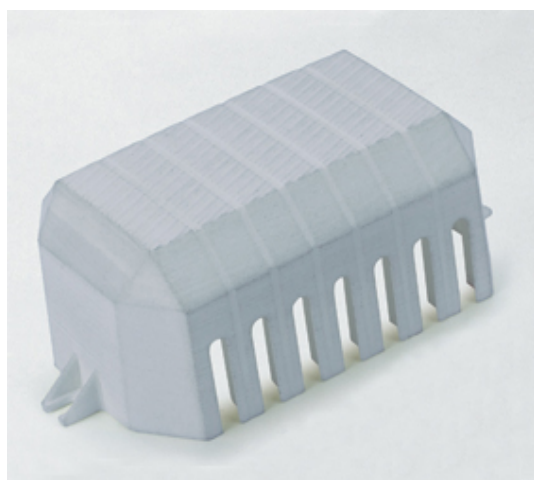


# Accessories

## Range: Emech Terminals/Accessories

Order Code: HY500/1 cover



### DESCRIPTION

1 pole grey polyamide cover 11mm pitch

*Subject to technical modification without notice.*

*Typographical and other errors do not justify claim for damages.*

## SPECIFICATION

Number of Poles	1
Body Material	Polyamide
Colour	Grey
UL94 Rating	UL94V1
Glow Wire Resistance Test Temp	GWT750Å°C in 2 sec (EN60695-2-11)
Pitch (mm)	11
Height (mm)	45
Width (mm)	63
Length (mm)	34

## INDUSTRY ACCREDITATIONS

