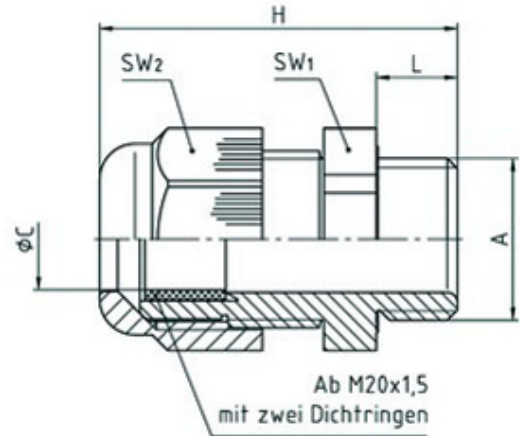


50.620 PASW/EX

Perfect cable gland EX M20X1,5 thread length 8, min/max cable dia 5.5-13, Sealing Ring material Polychloroprene-Nitrile rubber CR/NBR Gland Colour-Black - RAL 9005 - CLEARANCE - LIMITED STOCK AVAILABLE



SPECIFICATION

Product Type	EX
Body Material	Polyamide
Min Temperature °C	-20
Max Temperature °C	70
IP Rating	68
Colour	Black - RAL 9005
Thread Size	M20
Clamping Range Min (mm)	5.5
Clamping Range Max (mm)	13
External Connecting Thread Type	Metric
Thread Length (mm)	8
Sealing Ring/Inner Part	Evoprene TPE (from M20x1,5)
Comments	PTB 99 ATEX 3101 X (M12 und M16)2G, 2D and 3G/1, 2, 21, 22 Equipment Group IIEx e, increased safety EN 60079-0 / EN 60079-7
Width Across Flat 1 (mm)	24
Width Across Flat 2 (mm)	24
Height (mm)	37
Connecting Thread Size	M20x1.5
Sealing Ring/Outer Part	Polychloroprene-Nitrile rubber CR/NBR
Additional Material Detail	Body - Polyamide PA6, Dust cap - Polyethylene PE-LD
Category/Zone	2G, 2D and 3G/1, 2, 21, 22
Equipment Group	Equipment Group II
Standards	EN60079-1/EN60079-7/EN61241-0/EN61241-1
Type of Protection	Ex e, increased safety

DISTRIBUTORS

