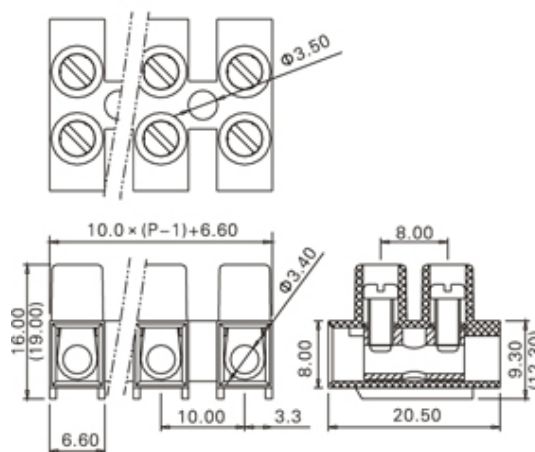


# Pillar Terminal Blocks

## Range: Emech Terminals/Accessories

Order Code: CTS-IVA-S10-W12 (TLB-200W-12P)



### DESCRIPTION

12 Pole PA66 Pillar Terminal Block 32A 450V

*Subject to technical modification without notice.*

*Typographical and other errors do not justify claim for damages.*

## SPECIFICATION

<b>Number of Poles</b>	12
<b>Body Material</b>	PA66
<b>Colour</b>	Natural
<b>UL94 Rating</b>	UL94V0
<b>Base Type</b>	Standard
<b>Min Conductor Size (Sq mm)</b>	0.75
<b>Max Conductor Size (Sq mm)</b>	4
<b>Min Conductor Size AWG</b>	22
<b>Max Conductor Size AWG</b>	10
<b>Max Current (A)</b>	30(UL) 32(VDE)
<b>Max Voltage (V)</b>	300(UL) 450(VDE)
<b>Pitch (mm)</b>	10
<b>Height (mm)</b>	16
<b>Width (mm)</b>	20.5
<b>Length (mm)</b>	116.6
<b>Screw Type</b>	Slot

## INDUSTRY ACCREDITATIONS

