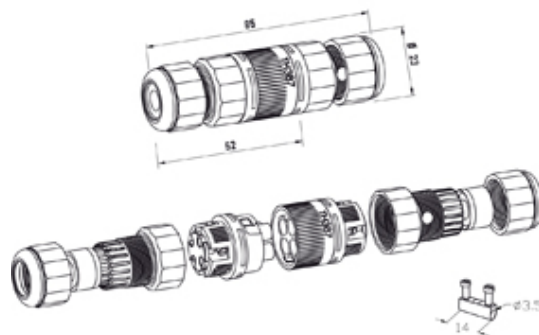




TeePlug & Sockets

Range: Weatherproof/Waterproof Connectors

Order Code: THK.387.A5A



DESCRIPTION

TeePlug and socket 5 pole Screw terminal 7mm to 12mm cable diameter, 4 mm max conductor size IP68 17.5A 450V 1 cable entry. Complete with plastic ring for securing to panel, cable reducers for cable < 7.0mm, and the tool for quick installation.

WEATHERPROOF/WATERPROOF CONNECTORS FEATURES

- Up to IP68 versions available
- Various configurations available
- Components are keyway coded to ensure correct assembly
- All products are quick and simple to install
- Bulkhead/chassis mount options available (depending on product type)
- Temperature range of -20°C to +125°C

Features may vary by product throughout the range.

Subject to technical modification without notice.

Typographical and other errors do not justify claim for damages.

SPECIFICATION

Type	Plug and Socket
Cable Entries	1
Max Current (A)	17.5
Max Voltage (V)	450
Number of Poles	5
Max Conductor Size (Sq mm)	4
Minimum Cable Diameter (mm)	7
Maximum Cable Diameter (mm)	12
IP Rating	68
Min Temperature Rating °C	-40
Max Temperature Rating °C	125
Temperature "T" Rating	T125
Body Material	PA66
Comments	Complete with plastic ring for securing to panel, cable reducers for cable < 7.0mm, and the tool for quick installation.
Fixing System	Cable
Terminal Type	Screw

INDUSTRY ACCREDITATIONS

