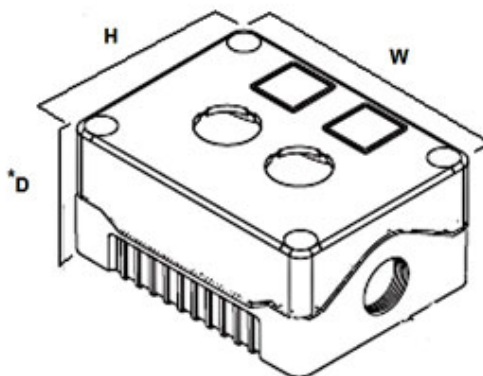


1DE.01.09AB-POS

Key 2 position selector, grey cover, black base, supplied complete with Flange and DIN rail mounting brackets.



*Enclosure only except 1DE .SP series where D includes actuator height

SPECIFICATION

Base Colour	Black
Base Style	Standard base
Comments	Supplied C/W Flange and DIN rail assembly brackets
Depth (mm)	53
Enclosure Material	ABS-UL94-HB
Height (mm)	80
IP Rating	IP56
Lid Colour	Grey
Max Temperature Rating °C	65
Minimum Temp Rating °C	-10
Number of Switches	1
Size (mm)	80x73x53
Switch 1 Style	Key Selector switch
Switch 1 Substyle	2 position selector
Width (mm)	73

DISTRIBUTORS

