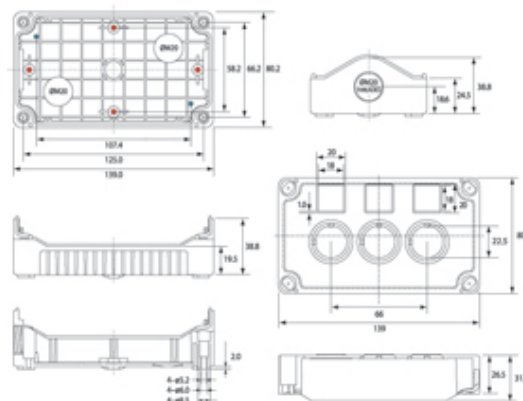


Rectangular Enclosures/Junction Boxes

Range: Enclosures

Order Code: EJB-CBP-14-08-06-TG (DE03S-P-TG-0)



DESCRIPTION

Size 3, standard base polycarbonate material transparent lid grey base with 0 holes

ENCLOSURES FEATURES

- 4 sizes available - standard & deep base
- Sealed to IP67
- Complete with M20 cable knockouts
- Captive plastic screws in lid
- Available in standard and deep base
- Suitable for enclosing printed circuit boards - vertically (via mounting slots) or horizontally
- Unique snap-on DIM rail and flange brackets available
- Also available in ABS-UL94
- Temperature rating of -10° to +65°

Subject to technical modification without notice.

Typographical and other errors do not justify claim for damages.

SPECIFICATION

| | |
|----------------------------------|------------------------------------|
| Product Type | Standard base |
| Number of Holes | 0 |
| Base Style | Standard base |
| Base Colour | Grey |
| Lid Colour | Transparent |
| Enclosure Material | Polycarbonate UL94-V0 |
| IP Rating | 67 |
| Min Temperature Rating °C | -10 |
| Max Temperature Rating °C | 65 |
| Height (mm) | 80 |
| Width (mm) | 139 |
| Depth (mm) | 53 |
| Accessories Available | Snap-on flange & DIN Rail brackets |