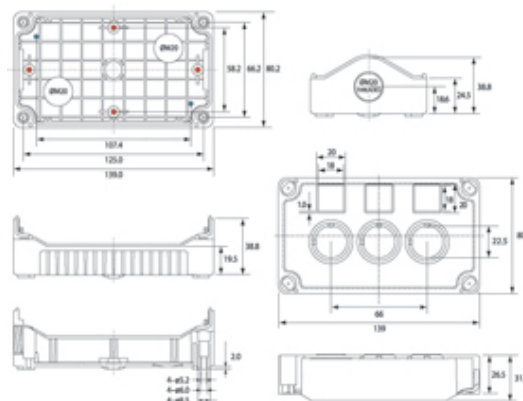


Rectangular Enclosures/Junction Boxes

Range: Enclosures

Order Code: EJB-CBP-14-08-06-TB (DE03S-P-TB-0)



DESCRIPTION

Size 3, standard base polycarbonate material transparent lid black base with 0 holes

ENCLOSURES FEATURES

- 4 sizes available - standard & deep base
- Sealed to IP67
- Complete with M20 cable knockouts
- Captive plastic screws in lid
- Available in standard and deep base
- Suitable for enclosing printed circuit boards - vertically (via mounting slots) or horizontally
- Unique snap-on DIM rail and flange brackets available
- Also available in ABS-UL94
- Temperature rating of -10° to +65°

Subject to technical modification without notice.

Typographical and other errors do not justify claim for damages.

SPECIFICATION

Product Type	Standard base
Number of Holes	0
Base Style	Standard base
Base Colour	Black
Lid Colour	Transparent
Enclosure Material	Polycarbonate UL94-V0
IP Rating	67
Min Temperature Rating °C	-10
Max Temperature Rating °C	65
Height (mm)	80
Width (mm)	139
Depth (mm)	53
Accessories Available	Snap-on flange & DIN Rail brackets