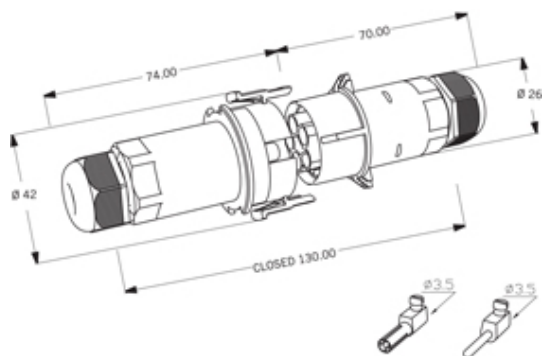


THK.404.X2A00

TeePlug Plug and socket, 5 poleScrew terminal 7mm to 14mm cable diameter, 4 mm max conductor size IP65 17.5A 400V 2 cable entry



SPECIFICATION

| | |
|-----------------------------|--------|
| Type | Socket |
| Cable Entries | 2 |
| Number of Poles | 5 |
| Terminal Type | Screw |
| Body Material | PA66 |
| IP Rating | 65 |
| Max Conductor Size (Sq mm) | 4 |
| Max Current (A) | 17.5 |
| Max Voltage (V) | 400 |
| Minimum Temp Rating °C | -40 |
| Maximum Temp Rating °C | 125 |
| Minimum Cable Diameter (mm) | 7 |
| Maximum Cable Diameter (mm) | 14 |
| Fixing System | Cable |
| Length (mm) | 130 |
| Temperature "T" Rating | T125 |

DISTRIBUTORS

