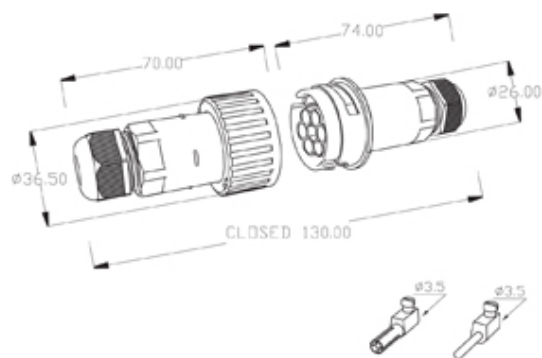




TeePlug & Sockets

Range: Weatherproof/Waterproof Connectors

Order Code: CWP-PBK-AD-S03O (THB.405.3KIT)



DESCRIPTION

TeePlug 3 pole Screw terminal 7mm to 14mm cable diameter, 4 mm max conductor size IP68 25A 400V 1 cable entry

TeePlug Powersocket 3 pole Screw terminal 7mm to 14mm cable diameter, 4 mm max conductor size IP68 25A 400V 1 cable entry and TH405 Insert tool

WEATHERPROOF/WATERPROOF CONNECTORS FEATURES

- Up to IP68 versions available
- Various configurations available
- Components are keyway coded to ensure correct assembly
- All products are quick and simple to install
- Bulkhead/chassis mount options available (depending on product type)
- Temperature range of -20°C to +125°C

Features may vary by product throughout the range.

Subject to technical modification without notice.

Typographical and other errors do not justify claim for damages.

SPECIFICATION

Type	Plug and Socket
Cable Entries	1
Max Current (A)	25
Max Voltage (V)	400
Number of Poles	3
Max Conductor Size (Sq mm)	4
Minimum Cable Diameter (mm)	7
Maximum Cable Diameter (mm)	14
IP Rating	68
Min Temperature Rating °C	-40
Max Temperature Rating °C	125
Temperature "T" Rating	T125
Body Material	PA66
Comments	This product comprises parts THB.405.A2B, THB.405.B2B and 600012200
Fixing System	Cable
Terminal Type	Screw

INDUSTRY ACCREDITATIONS

