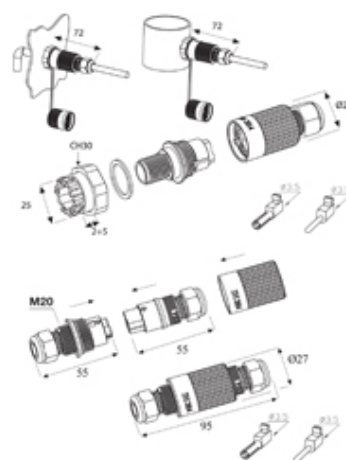




# TeePlug & Sockets

## Range: Weatherproof/Waterproof Connectors

Order Code: THB.386.A1A-KIT



### DESCRIPTION

TeePlug panel mount self-locking 3 pole Screw terminal 7mm to 12mm cable diameter, 4 mm max conductor size 17A 400V 1 cable entry, TeePlug Powersocket 3 pole Screw terminal 7mm to 12mm cable diameter, 4 mm max conductor size IP66-68 17.5A 450V 1 cable and Black sealing cap with silicon belt for TH384 entry

### WEATHERPROOF/WATERPROOF CONNECTORS FEATURES

- Up to IP68 versions available
- Various configurations available
- Components are keyway coded to ensure correct assembly
- All products are quick and simple to install
- Bulkhead/chassis mount options available (depending on product type)
- Temperature range of -20°C to +125°C

*Features may vary by product throughout the range.*

*Subject to technical modification without notice.*

*Typographical and other errors do not justify claim for damages.*

## SPECIFICATION

Type	Plug and Socket
Cable Entries	1
Max Current (A)	17
Max Voltage (V)	400
Number of Poles	3
Max Conductor Size (Sq mm)	4
Minimum Cable Diameter (mm)	7
Maximum Cable Diameter (mm)	12
Min Temperature Rating °C	-40
Max Temperature Rating °C	125
Temperature "T" Rating	T85
Body Material	PA66
Comments	This product comprises parts THB.386.A1A, THB.384.B1A and 6DB02100C
Fixing System	Self locking panel mount
Series	TH386
Terminal Type	Screw

## INDUSTRY ACCREDITATIONS

