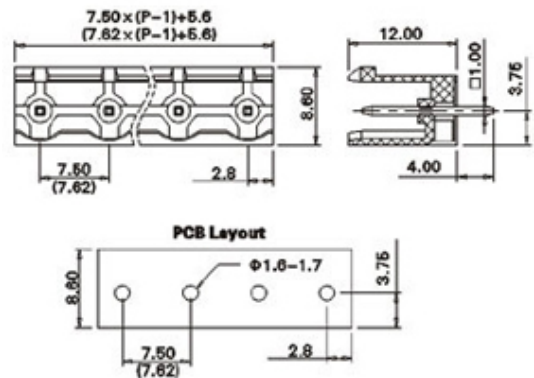
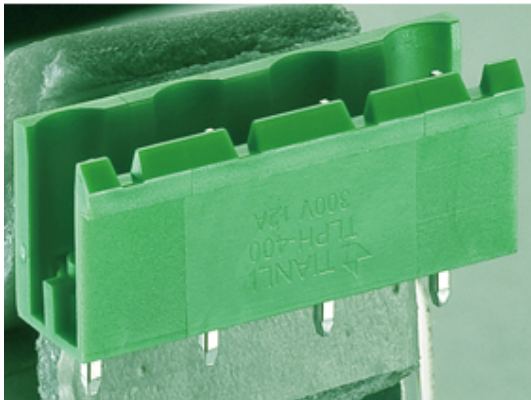


Pluggable Pin Header (Male) - Single Row PCB Header

Range: PCB Terminal Blocks, Connectors and Fuse Holders

Part Number: TLPH-400V-8P



DESCRIPTION

8 Pole Vertical PCB terminal block 7.5mm pitch 12A 300V

Subject to technical modification without notice.

Typographical and other errors do not justify claim for damages.

SPECIFICATION

| | |
|---------------------------|---|
| Type | PCB mount - Male header |
| Mounting Type | Wave - through hole |
| Orientation | Vertical |
| Join | Solid body non stackable |
| Pitch (mm) | 7.5 |
| Open/Closed/Screw/Flange | Open End |
| Number of Poles | 8 |
| Max Current (A) | 12 |
| Max Voltage (V) | 300 |
| Height (mm) | 8.6 |
| Standard Colour | Green |
| Width (mm) | 12 |
| Length (mm) | 58 |
| Solder Pin Length (mm) | 4 |
| PCB Hole Diameter (mm) | 1.6-1.7 |
| Comments | Pole sizes / no of ways not shown, please contact us for availability |
| Max Temperature Rating °C | 105 |
| Max Wire Size AWG | -40 |

INDUSTRY ACCREDITATIONS

