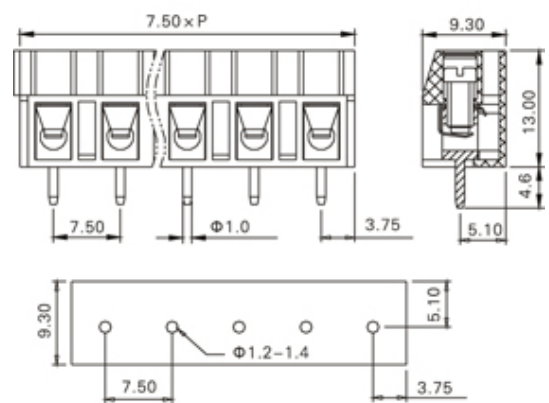




Through Hole Mount/Wire Protected

Range: PCB Terminal Blocks, Connectors and Fuse Holders

Part Number: TL400V-02PGS



DESCRIPTION

2 Pole Screw Wire Protector Wave - through hole Vertical 7.5mm pitch 16A(UL) 24A(VDE) 300V(VDE)450V(VDE)

Subject to technical modification without notice.

Typographical and other errors do not justify claim for damages.

SPECIFICATION

Type	Screw
Connection Method	Wire Protector
Mounting Type	Wave - through hole
Orientation	Vertical
Join	Interlocking
Pitch (mm)	7.5
Number of Poles	2
Min Wire Size (Sq mm)	0.33
Max Wire Size (Sq mm)	2.5
Max Current (A)	16A(UL) 24A(VDE)
Max Voltage (V)	300V(VDE)450V(VDE)
Height (mm)	13
Standard Colour	Green
Width (mm)	9.3
Length (mm)	15
Solder Pin Length (mm)	4.6
PCB Hole Diameter (mm)	1.2-1.4
Body Material	PA66 V0
Comments	Pole sizes / no of ways not shown, please contact us for availability
Min Temperature Rating °C	-40
Max Temperature Rating °C	105
Min Wire Size AWG	22
Max Wire Size AWG	14
Terminal Type	Wire protected

INDUSTRY ACCREDITATIONS

