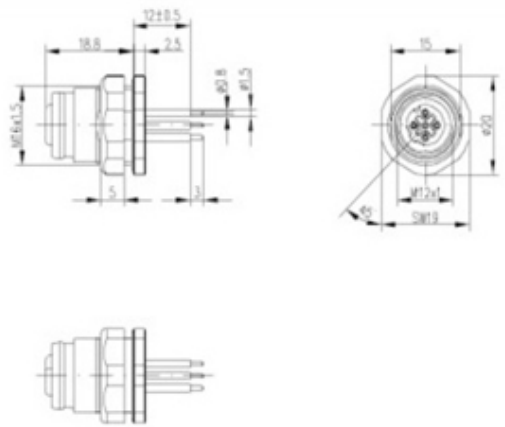




PC Board Jacks Ethernet M12

Range: PCB Terminal Blocks, Connectors and Fuse Holders

Order Code: MMW370A1A1



DESCRIPTION

Ethernet M12

*Subject to technical modification without notice.
Typographical and other errors do not justify claim for damages.*

SPECIFICATION

Standard Colour	Metal
EAN Code	4.25E+12
Product Features 1	D-Coded
Pin Style	Jacks D-coded