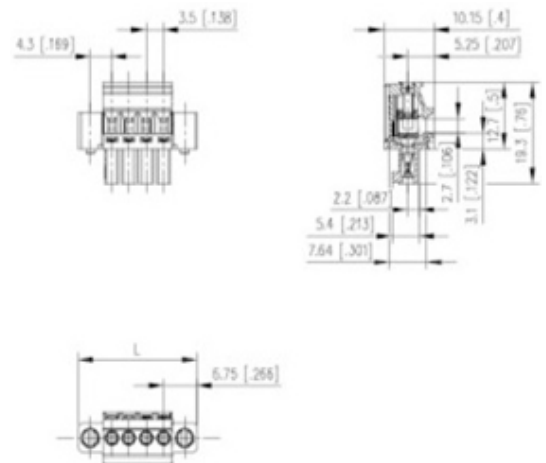




Plug and Socket PCB Terminal Blocks

Range: PCB Terminal Blocks, Connectors and Fuse Holders

Order Code: 31634111



DESCRIPTION

11 Pole horizontal screw female plug terminal block 3.5mm pitch 10A 130V

Subject to technical modification without notice.

Typographical and other errors do not justify claim for damages.

SPECIFICATION

| | |
|------------------------------------|---|
| Type | Cable mount - Female plug |
| Connection Method | Screw |
| Mounting Type | Rising clamp |
| Orientation | Horizontal |
| Join | Solid body non stackable |
| Pitch (mm) | 3.5 |
| Open/Closed/Screw/Flange | Screw flange |
| Number of Poles | 11 |
| Min Wire Size (Sq mm) | 0.08 |
| Max Wire Size (Sq mm) | 1.5 |
| Max Current (A) | 10 |
| Max Voltage (V) | 130 |
| Height (mm) | 19.3 |
| Standard Colour | Black |
| Width (mm) | 10.15 |
| Length (mm) | 48.5 |
| Comments | Pole sizes / no of ways not shown, please contact us for availability |
| IP Rating | 20 |
| Min Temperature Rating °C | 16 |
| Min Wire Size AWG | 28 |
| Pin Style | Pluggable |
| Tracking Resistance CTI (v) | 600 |

INDUSTRY ACCREDITATIONS

