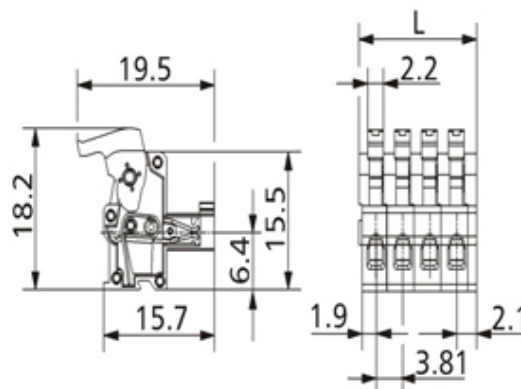
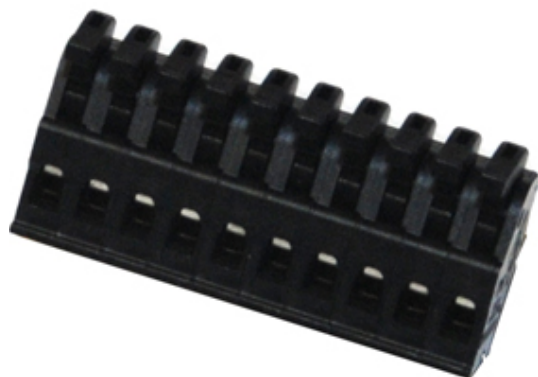


# PCB Plugs and Sockets

Range: Clearance

Part Number: ASP0441022



## DESCRIPTION

CLEARANCE - 10 Pole vertical spring PCB terminal block 3.81mm pitch 10A 130V

*Subject to technical modification without notice.*

*Typographical and other errors do not justify claim for damages.*

## SPECIFICATION

Height (mm)	18.2
Width (mm)	19.5
Length (mm)	38.48
Max Current (A)	10
Max Voltage (V)	130
Comments	Pole sizes / no of ways not shown, please contact us for availability
IP Rating	20
Number of Poles	10
Pitch (mm)	3.81
Tracking Resistance CTI (v)	400