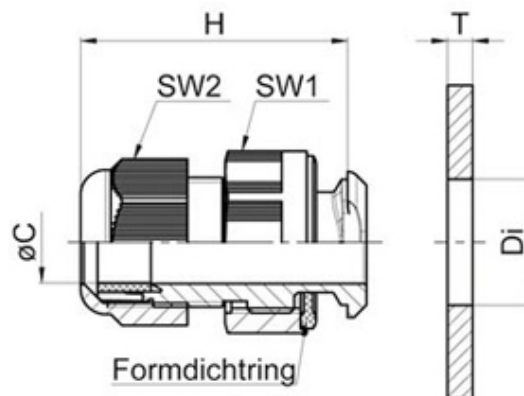


## K341-1032-02

Kwik Fix cable gland PA/SW M32



### SPECIFICATION

<b>Product Type</b>	Standard
<b>Sealing Ring Material</b>	Polychloroprene-Nitrile rubber CR/NBR
<b>Body Material</b>	Polyamide
<b>Mounting Nut Material</b>	Polyamide PA6 GF30
<b>Moulded Sealing Ring Material</b>	Nitrile-Polytetrafluorethylene rubber NBR/PTFE
<b>Min Temperature °C</b>	-20
<b>Max Temperature °C</b>	100
<b>IP Rating</b>	68
<b>Colour</b>	Black - RAL 9005
<b>Hole Diameter (mm)</b>	32.1
<b>Thread Size</b>	M32
<b>Clamping Range Min (mm)</b>	15
<b>Clamping Range Max (mm)</b>	21
<b>Width Across Flat 1 (mm)</b>	42
<b>Width Across Flat 2 (mm)</b>	36
<b>Height (mm)</b>	58.5
<b>Additional Material Detail</b>	Body - Polyamide PA6 V-2