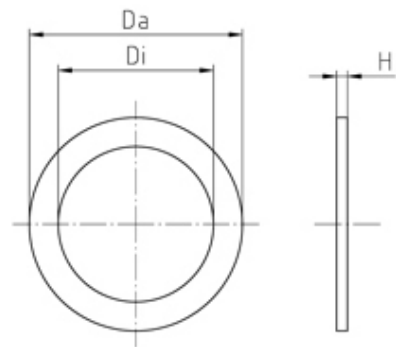




# Inserts/Accessories

## Range: Cable Glands/Grommets

Part Number: D 311/10



### DESCRIPTION

Washer PG11 , material - steel, zinc-plated- Int./Ext Dia. 10/17

*Subject to technical modification without notice.*

*Typographical and other errors do not justify claim for damages.*

## SPECIFICATION

<b>Product Type</b>	Standard
<b>Thread Size</b>	PG11
<b>External Diameter (mm)</b>	17
<b>Washer Material</b>	Steel, zinc-plated
<b>Interior Diameter (mm)</b>	10
<b>Comments</b>	assembled in series: 19.5xx, 19.6xx, 23.6xx, 63xx, 63xx UG, 3xx M, 3xxxx, 21.1xx
<b>Height (mm)</b>	0.8