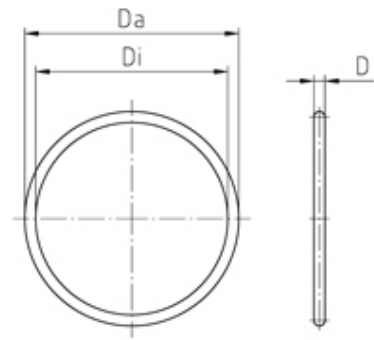




Inserts/Accessories

Range: Cable Glands/Grommets

Part Number: 316 G



DESCRIPTION

O-Ring, PG16 20X2MM

*Subject to technical modification without notice.
Typographical and other errors do not justify claim for damages.*

SPECIFICATION

Product Type	Standard
Min Temperature Rating °C	-30
Max Temperature Rating °C	100
Thread Size	PG16
External Diameter (mm)	24
Interior Diameter (mm)	20
Diameter (mm)	2
Comments	assembled o-ring enables higher protection grades
Additional Material Detail	Nitrile rubber