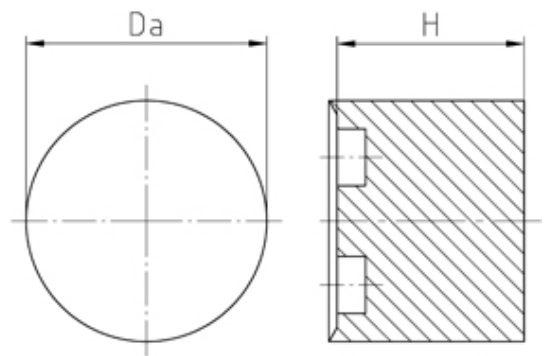




Inserts/Accessories

Range: Cable Glands/Grommets

Part Number: WJ-D 11 STO



DESCRIPTION

Sealing insert, blanking for PG11 glands

Subject to technical modification without notice.

Typographical and other errors do not justify claim for damages.

SPECIFICATION

Product Type	Standard
Sealing Ring Material	Evoprene TPE
Min Temperature Rating °C	-30
Max Temperature Rating °C	100
Thread Size	PG11
External Diameter (mm)	13.3
Sealing Insert	Evoprene TPE
Comments	installation possible in PERFECT series: 50.0xx, 50.1xx, 50.0xx Pazzzz, 50.1xx Pazzzz
Height (mm)	8.5