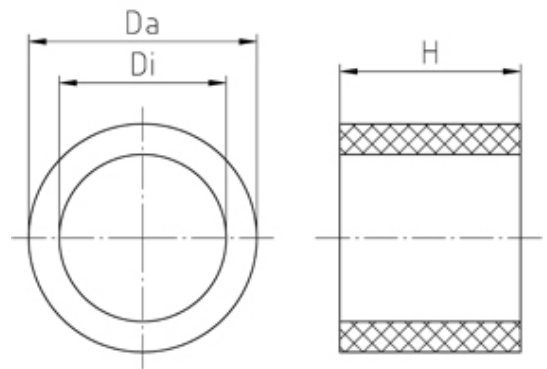




Inserts/Accessories

Range: Cable Glands/Grommets

Part Number: WJ-D 9



DESCRIPTION

Sealing ring.

*Subject to technical modification without notice.
Typographical and other errors do not justify claim for damages.*

SPECIFICATION

Product Type	Standard
Sealing Ring Material	Polychloroprene-Nitrile rubber CR/NBR
Min Temperature Rating °C	-20
Max Temperature Rating °C	100
Thread Size	PG9
External Diameter (mm)	10.6
Interior Diameter (mm)	8.3
Comments	assembled in PERFECT series: 50.0xx, 50.1xx, 50.0xx/xx, 50.0xx/EMV, 50.0xx Pazzzz, 50.1xx Pazzzz, 50.0xx PA/FLzzzz, 50.0xx PABSzzzz
Height (mm)	7.5