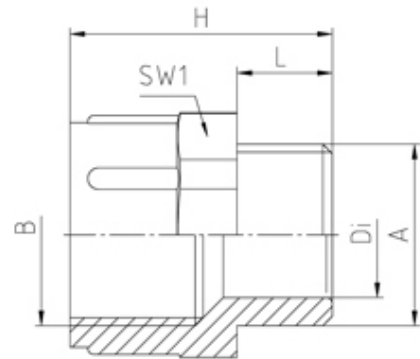


06309 PAU

Gland body PA7035 PG9 thread length 8



SPECIFICATION

Product Type	Standard
Body Material	Polyamide
Min Temperature °C	-30
Max Temperature °C	100
IP Rating	dependent on the combination with other components
Thread Size	PG9
External Connecting Thread Type	Pg 9
Thread Length (mm)	8
Interior Diameter (mm)	7
Width Across Flat 1 (mm)	19
Height (mm)	22
Connecting Thread Size	Pg 9
Additional Material Detail	Body - Polyamide PA6 GF30