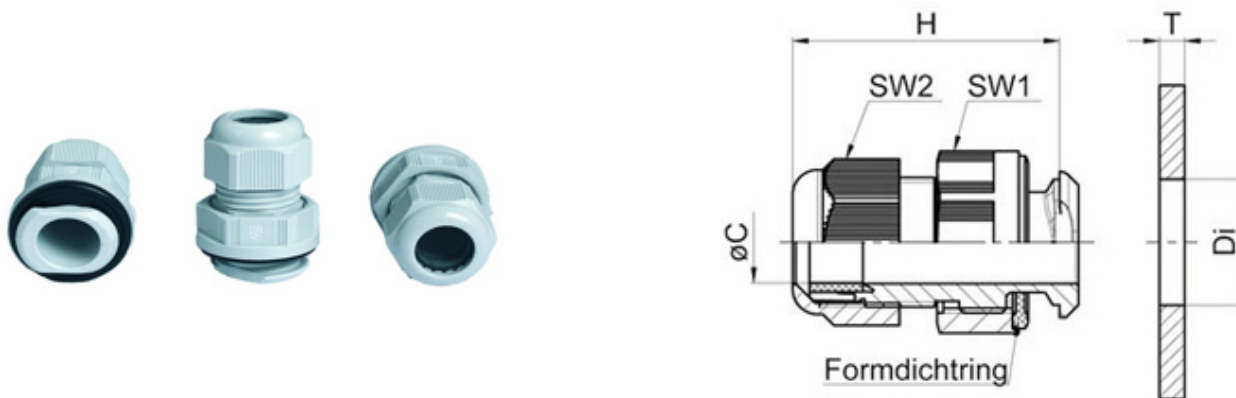


K341-1016-00

Kwik Fix cable gland PA7035 M16



SPECIFICATION

Product Type	Standard
Sealing Ring Material	Polychloroprene-Nitrile rubber CR/NBR
Body Material	Polyamide
Mounting Nut Material	Polyamide PA6 GF30
Moulded Sealing Ring Material	Nitrile-Polytetrafluorethylene rubber NBR/PTFE
Min Temperature °C	-20
Max Temperature °C	100
IP Rating	68
Colour	Light Grey - RAL 7035
Hole Diameter (mm)	16.1
Thread Size	M16
Clamping Range Min (mm)	5
Clamping Range Max (mm)	10
Width Across Flat 1 (mm)	24
Width Across Flat 2 (mm)	20
Height (mm)	38.5
Additional Material Detail	Body - Polyamide PA6 V-2

DISTRIBUTORS

