

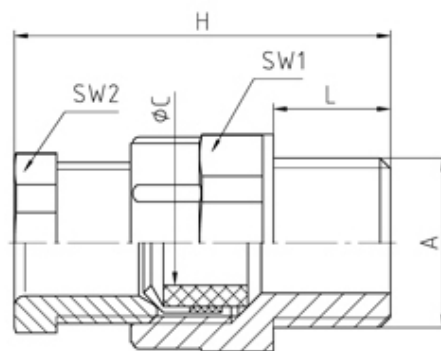


# Nylon PG Cable Glands

## Range: Cable Glands/Grommets

Order Code: 28.613 PA

---



---

### DESCRIPTION

Krallen cable gland PA7035 PG13 thread length 9 min/max cable dia 10-12

*Subject to technical modification without notice.*

*Typographical and other errors do not justify claim for damages.*

## SPECIFICATION

<b>Product Type</b>	Standard
<b>Sealing Ring Material</b>	SBR/NBR
<b>Body Material</b>	Polyamide
<b>Min Temperature Rating °C</b>	-30
<b>Max Temperature Rating °C</b>	100
<b>IP Rating</b>	65
<b>Colour</b>	Light Grey - RAL 7035
<b>Thread Size</b>	PG13.5
<b>Clamping Range Min (mm)</b>	10
<b>Clamping Range Max (mm)</b>	12
<b>External Connecting Thread Type</b>	PG
<b>Thread Length (mm)</b>	9
<b>Clamping Cage Material</b>	Polyoxymethylene POM (Hostaform C)
<b>Width Across Flat 1 (mm)</b>	24
<b>Width Across Flat 2 (mm)</b>	21
<b>Height (mm)</b>	38
<b>Connecting Thread Size</b>	Pg 13.5
<b>Additional Material Detail</b>	Body - Polyamide PA6 GF30