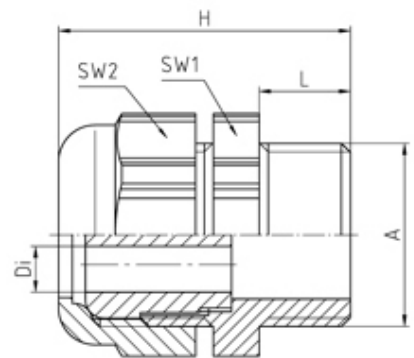




Nylon PG Cable Glands

Range: Cable Glands/Grommets

Part Number: 155UMzXz



DESCRIPTION

Uni-Dicht cable gland PG29 with multiple hole sealing inserts range 1, see comments/data sheet for options

Subject to technical modification without notice.

Typographical and other errors do not justify claim for damages.

SPECIFICATION

Product Type	Standard
Body Material	Polyamide
Min Temperature Rating °C	-20
Max Temperature Rating °C	100
IP Rating	IP65, IP68 if diameters of the bore holes in the s
Colour	Pebble Grey - RAL 7032
Thread Size	PG29
External Connecting Thread Type	PG
Sealing Insert	PVC, colour coded
Interior Diameter (mm)	4x10
Comments	please indicate required sealing insert, e.g. 151UM2x4
Connecting Thread Size	Pg 29
Additional Material Detail	Body - Polyamide PA6