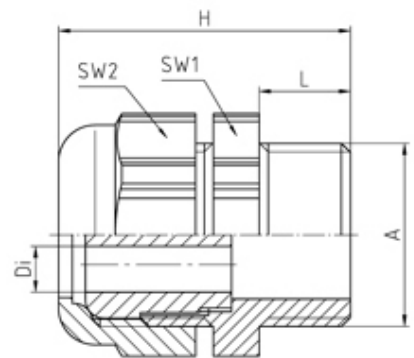


Nylon PG Cable Glands

Range: Cable Glands/Grommets

Order Code: 151UMzXz



DESCRIPTION

Uni-Dicht cable gland PG11 with multiple hole sealing insert, see comments

Subject to technical modification without notice.

Typographical and other errors do not justify claim for damages.

SPECIFICATION

| | |
|--|--|
| Product Type | Standard |
| Body Material | Polyamide |
| Min Temperature Rating °C | -20 |
| Max Temperature Rating °C | 100 |
| IP Rating | IP65, IP68 if diameters of the bore holes in the s |
| Colour | Pebble Grey - RAL 7032 |
| Thread Size | PG11 |
| External Connecting Thread Type | PG |
| Sealing Insert | PVC, colour coded |
| Interior Diameter (mm) | 6x2 |
| Comments | please indicate required sealing insert, e.g. 151UM2x4 |
| Connecting Thread Size | Pg 11 |
| Additional Material Detail | Body - Polyamide PA6 |