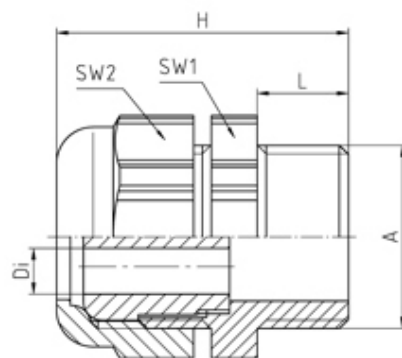




# Nylon PG Cable Glands

## Range: Cable Glands/Grommets

Order Code: 15051UMzXz



### DESCRIPTION

Uni-Dicht cable gland PG9/11 with multiple hole sealing insert, see comments

*Subject to technical modification without notice.*

*Typographical and other errors do not justify claim for damages.*

## SPECIFICATION

<b>Product Type</b>	Standard
<b>Body Material</b>	Polyamide
<b>Min Temperature Rating °C</b>	-20
<b>Max Temperature Rating °C</b>	100
<b>IP Rating</b>	IP65, IP68 if diameters of the bore holes in the s
<b>Colour</b>	Pebble Grey - RAL 7032
<b>Thread Size</b>	PG9
<b>External Connecting Thread Type</b>	PG
<b>Sealing Insert</b>	PVC, colour coded
<b>Interior Diameter (mm)</b>	2x4/1x5
<b>Comments</b>	please indicate required sealing insert, e.g. 151UM2x4
<b>Connecting Thread Size</b>	Pg 9/11
<b>Additional Material Detail</b>	Body - Polyamide PA6