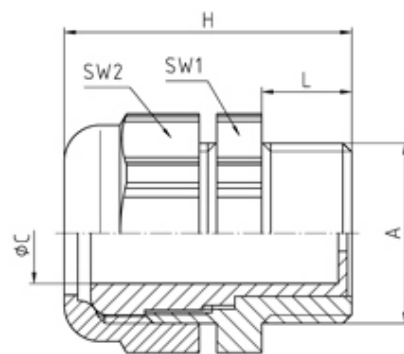


Nylon PG Cable Glands

Range: Cable Glands/Grommets

Order Code: GCG-PPG-PG29-18GL (18291418 T)



DESCRIPTION

Uni-Dicht cable gland PA7032 PG29 thread length 11.5 min/max cable dia 14-18

Subject to technical modification without notice.

Typographical and other errors do not justify claim for damages.

SPECIFICATION

| | |
|--|------------------------|
| Product Type | Standard |
| Body Material | Polyamide |
| Min Temperature Rating °C | -20 |
| Max Temperature Rating °C | 100 |
| IP Rating | 68 |
| Colour | Pebble Grey - RAL 7032 |
| Thread Size | PG29 |
| Clamping Range Min (mm) | 14 |
| Clamping Range Max (mm) | 18 |
| External Connecting Thread Type | PG |
| Thread Length (mm) | 11.5 |
| Sealing Insert | PVC, colour coded |
| Width Across Flat 1 (mm) | 43 |
| Width Across Flat 2 (mm) | 43 |
| Height (mm) | 44.5 |
| Connecting Thread Size | Pg 29 |
| Additional Material Detail | Body - Polyamide PA6 |