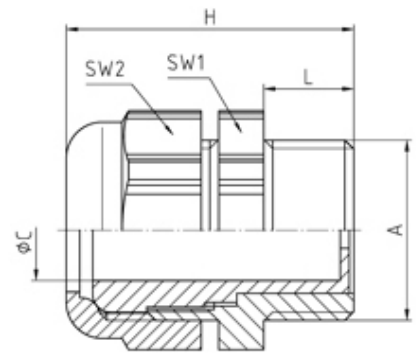


Nylon PG Cable Glands

Range: Cable Glands/Grommets

Order Code: GCG-PPG-PG13-13GL (18130913 T)



DESCRIPTION

Uni-Dicht cable gland PA7032 PG13 thread length 9 min/max cable dia 9-13

Subject to technical modification without notice.

Typographical and other errors do not justify claim for damages.

SPECIFICATION

Product Type	Standard
Body Material	Polyamide
Min Temperature Rating °C	-20
Max Temperature Rating °C	100
IP Rating	68
Colour	Pebble Grey - RAL 7032
Thread Size	PG13.5
Clamping Range Min (mm)	9
Clamping Range Max (mm)	13
External Connecting Thread Type	PG
Thread Length (mm)	9
Sealing Insert	PVC, colour coded
Width Across Flat 1 (mm)	24
Width Across Flat 2 (mm)	24
Height (mm)	33
Connecting Thread Size	Pg 13.5
Additional Material Detail	Body - Polyamide PA6