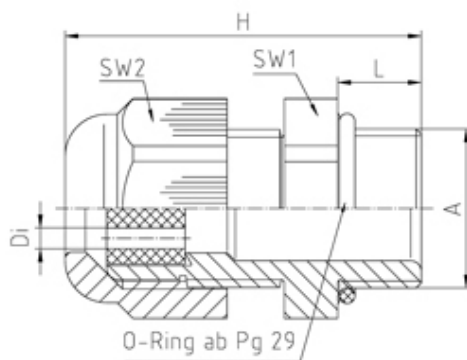


Nylon PG Cable Glands

Range: Cable Glands/Grommets

Part Number: 50029P7035/zz



DESCRIPTION

Perfect cable gland PA7035 PG29 with multiple hole sealing insert, see comments. Thread length 11

Subject to technical modification without notice.

Typographical and other errors do not justify claim for damages.

SPECIFICATION

Product Type	Standard
Body Material	Polyamide
Min Temperature Rating °C	-20
Max Temperature Rating °C	100
IP Rating	65
Colour	Light Grey - RAL 7035
Thread Size	PG29
External Connecting Thread Type	PG
Thread Length (mm)	11
Sealing Insert	Evoprene TPE
Comments	please indicate required sealing insert, e.g. 50.009 PA/4x2 sealing inserts - see WJ-D xx/zXz
Width Across Flat 1 (mm)	42
Width Across Flat 2 (mm)	42
Height (mm)	53
Connecting Thread Size	Pg 29
Additional Material Detail	Body - Polyamide PA6 V-2