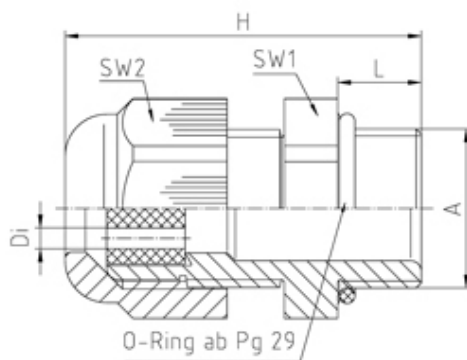


# Nylon PG Cable Glands

## Range: Cable Glands/Grommets

Part Number: 50.016 PA/zXz



### DESCRIPTION

Perfect cable gland PA7001 PG16 with multiple hole sealing insert, see comments. Thread length 10

*Subject to technical modification without notice.*

*Typographical and other errors do not justify claim for damages.*

## SPECIFICATION

<b>Product Type</b>	Standard
<b>Body Material</b>	Polyamide
<b>Min Temperature Rating °C</b>	-20
<b>Max Temperature Rating °C</b>	100
<b>IP Rating</b>	65
<b>Colour</b>	Dark Grey - RAL 7001
<b>Thread Size</b>	PG16
<b>External Connecting Thread Type</b>	PG
<b>Thread Length (mm)</b>	10
<b>Sealing Insert</b>	Evoprene TPE
<b>Comments</b>	please indicate required sealing insert, e.g. 50.009 PA/4x2 sealing inserts - see WJ-D xx/zXz
<b>Width Across Flat 1 (mm)</b>	27
<b>Width Across Flat 2 (mm)</b>	27
<b>Height (mm)</b>	42.5
<b>Connecting Thread Size</b>	Pg 16
<b>Additional Material Detail</b>	Body - Polyamide PA6 V-2