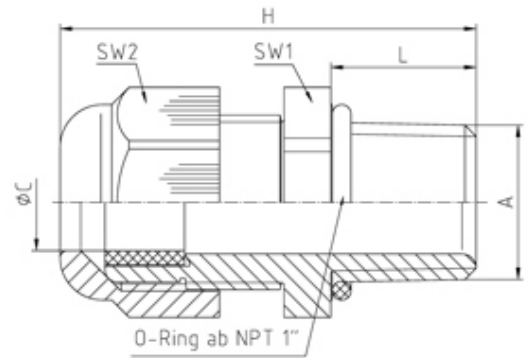


Other Cable Glands

Range: Cable Glands/Grommets

Order Code: GCG-NNS-NPT1/2-14GD (50.112 PA)



DESCRIPTION

Perfect cable gland PA7001 NPT1/2-PG16 thread length 15, min/max cable dia 10-14

Subject to technical modification without notice.

Typographical and other errors do not justify claim for damages.

SPECIFICATION

| | |
|--|--|
| Product Type | Standard |
| Sealing Ring Material | Polychloroprene-Nitrile rubber CR/NBR |
| Body Material | Polyamide |
| Min Temperature Rating °C | -20 |
| Max Temperature Rating °C | 100 |
| IP Rating | 68 |
| Colour | Dark Grey - RAL 7001 |
| Thread Size | PG16 |
| Clamping Range Min (mm) | 10 |
| Clamping Range Max (mm) | 14 |
| External Connecting Thread Type | NPT |
| Thread Length (mm) | 15 |
| Comments | details about test standards see annex |
| Width Across Flat 1 (mm) | 27 |
| Width Across Flat 2 (mm) | 27 |
| Height (mm) | 47.5 |
| Connecting Thread Size | NPT 1/2" |
| Additional Material Detail | Body - Polyamide PA6 V-2 |
| Standards | UL514B |
| Test Standard | UL 514B |

INDUSTRY ACCREDITATIONS

