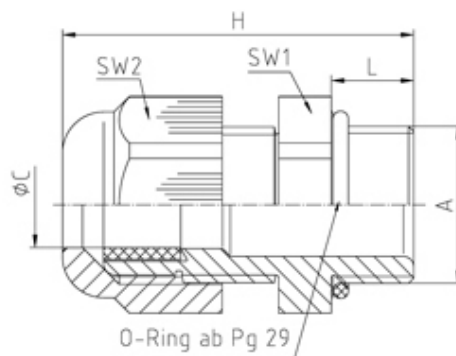


# Nylon PG Cable Glands

## Range: Cable Glands/Grommets

Part Number: 50.013 PASW15



### DESCRIPTION

Perfect cable gland long thread PA/SW PG13 thread length 15, min/max cable dia 6-12

*Subject to technical modification without notice.*

*Typographical and other errors do not justify claim for damages.*

## SPECIFICATION

|  |  |
|--|--|
| <b>Product Type</b>                    | Standard                               |
| <b>Sealing Ring Material</b>           | Polychloroprene-Nitrile rubber CR/NBR  |
| <b>Body Material</b>                   | Polyamide                              |
| <b>Min Temperature Rating °C</b>       | -20                                    |
| <b>Max Temperature Rating °C</b>       | 100                                    |
| <b>IP Rating</b>                       | 68                                     |
| <b>Colour</b>                          | Black - RAL 9005                       |
| <b>Thread Size</b>                     | PG13.5                                 |
| <b>Clamping Range Min (mm)</b>         | 6                                      |
| <b>Clamping Range Max (mm)</b>         | 12                                     |
| <b>External Connecting Thread Type</b> | PG                                     |
| <b>Thread Length (mm)</b>              | 15                                     |
| <b>Comments</b>                        | details about test standards see annex |
| <b>Width Across Flat 1 (mm)</b>        | 24                                     |
| <b>Width Across Flat 2 (mm)</b>        | 24                                     |
| <b>Height (mm)</b>                     | 45                                     |
| <b>Connecting Thread Size</b>          | Pg 13.5                                |
| <b>Additional Material Detail</b>      | Body - Polyamide PA6 V-2               |
| <b>Standards</b>                       | UL514B                                 |
| <b>Test Standard</b>                   | UL 514B                                |

## INDUSTRY ACCREDITATIONS

