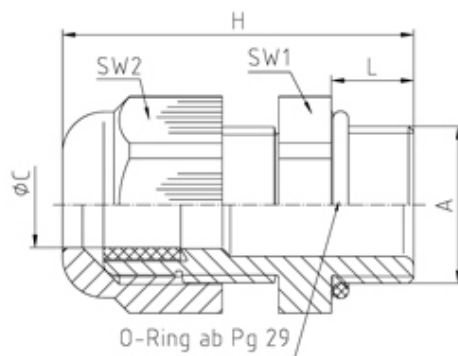


Nylon PG Cable Glands

Range: Cable Glands/Grommets

Part Number: 50.013 PA15



DESCRIPTION

Perfect cable gland long thread PA7001 PG13 thread length 15, min/max cable dia 6-12

Subject to technical modification without notice.

Typographical and other errors do not justify claim for damages.

SPECIFICATION

Product Type	Standard
Sealing Ring Material	Polychloroprene-Nitrile rubber CR/NBR
Body Material	Polyamide
Min Temperature Rating °C	-20
Max Temperature Rating °C	100
IP Rating	68
Colour	Dark Grey - RAL 7001
Thread Size	PG13.5
Clamping Range Min (mm)	6
Clamping Range Max (mm)	12
External Connecting Thread Type	PG
Thread Length (mm)	15
Comments	details about test standards see annex
Width Across Flat 1 (mm)	24
Width Across Flat 2 (mm)	24
Height (mm)	45
Connecting Thread Size	Pg 13.5
Additional Material Detail	Body - Polyamide PA6 V-2
Standards	UL514B
Test Standard	UL 514B

INDUSTRY ACCREDITATIONS

